

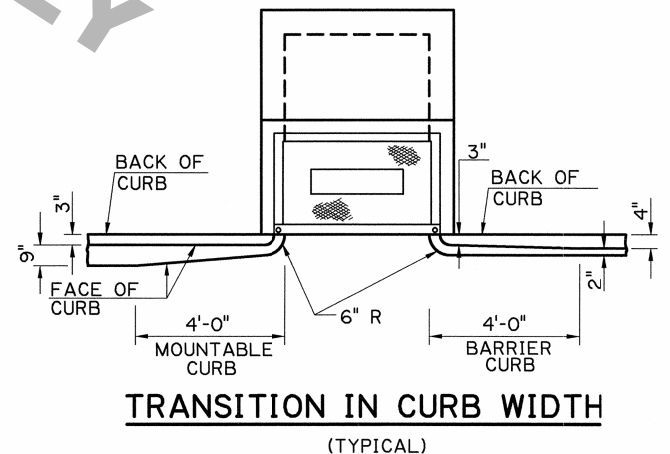
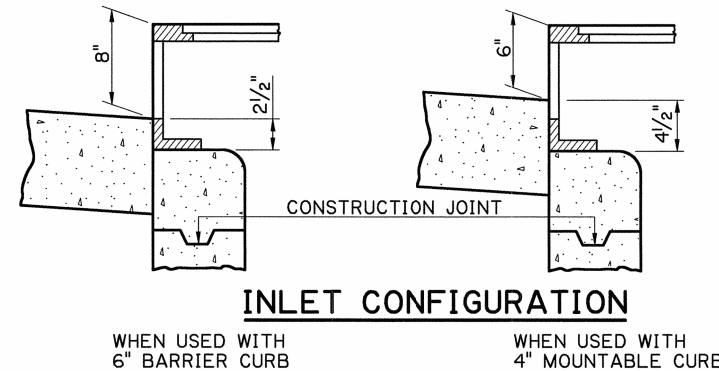
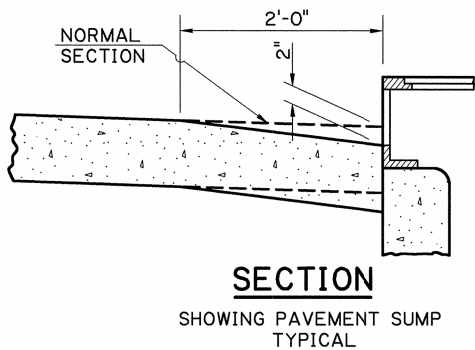
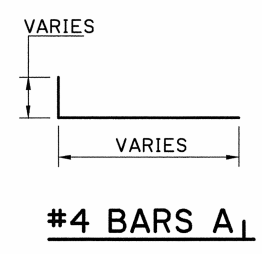
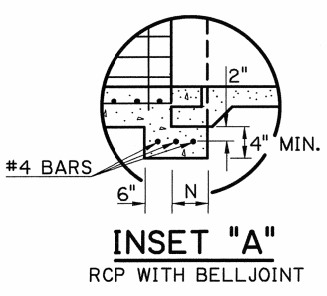
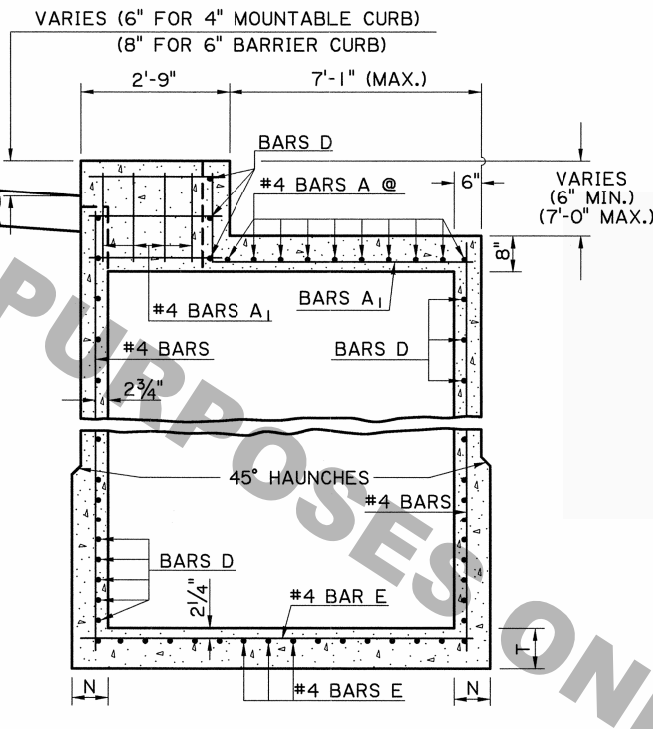
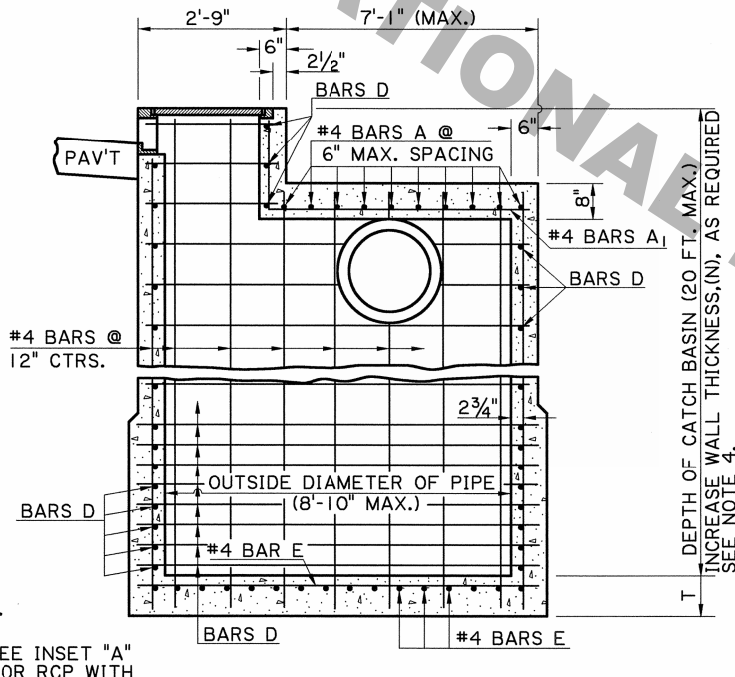
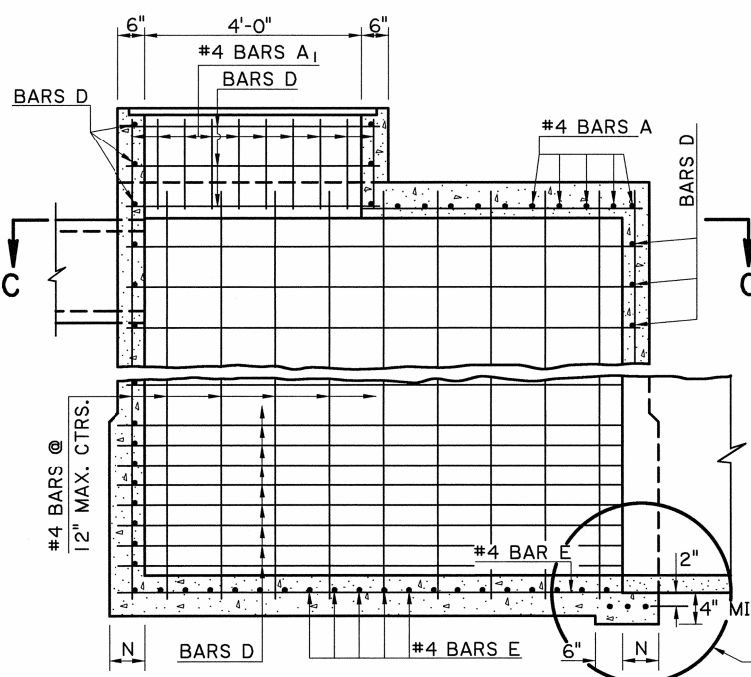
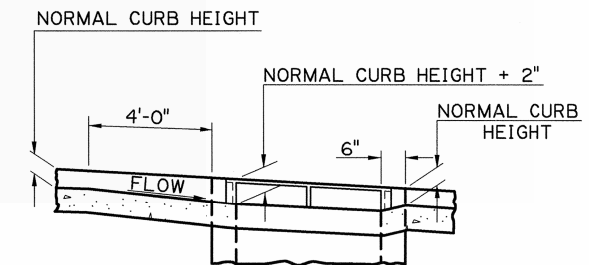
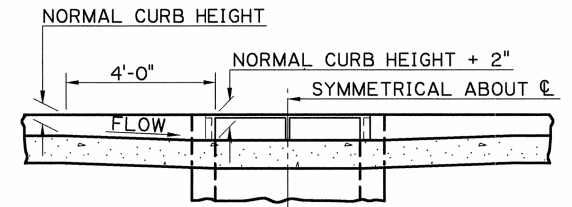
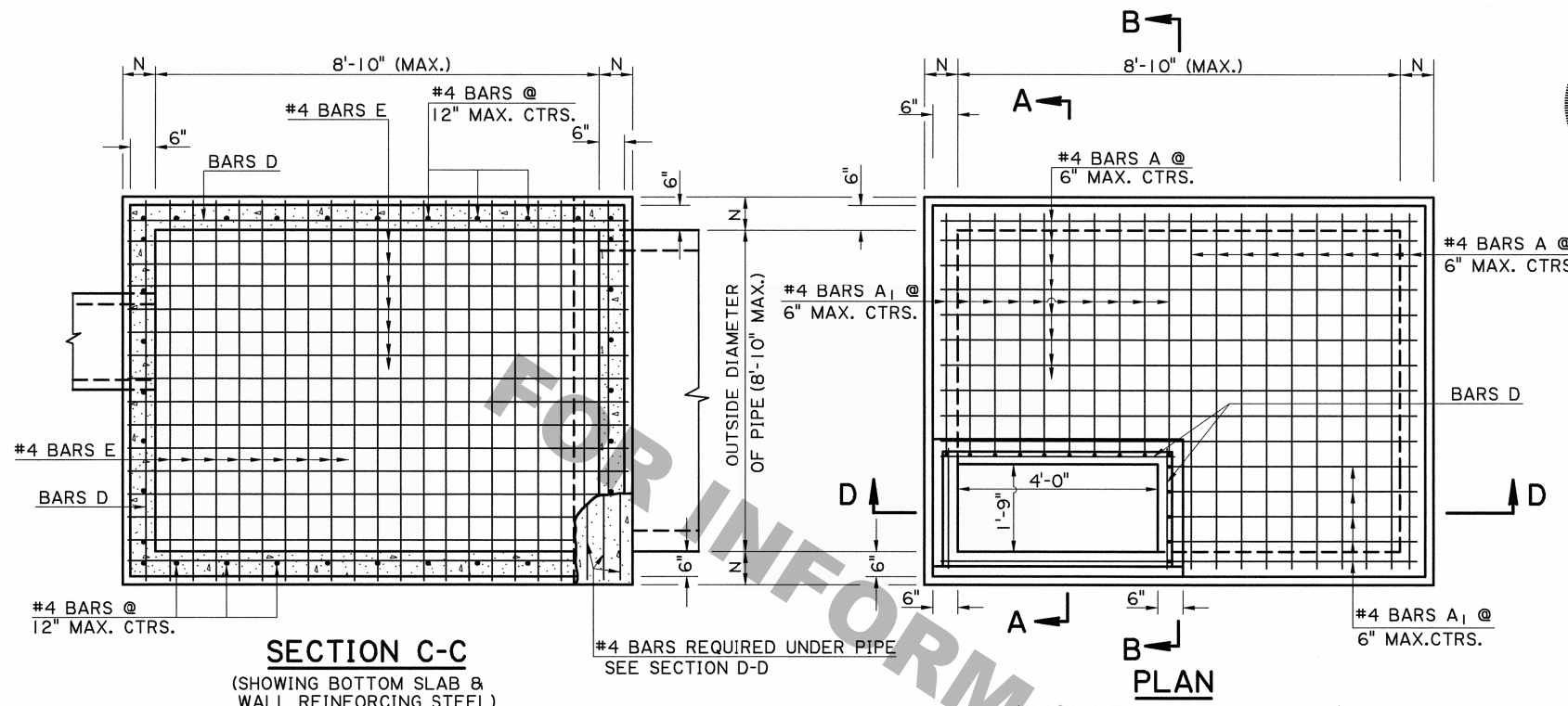


GENERAL NOTES:

- CATCH BASIN IS DESIGNED ACCORDING TO 4TH ED. 2007 AASHTO LRFD PROCEDURES. SECTION 702 OF THE DOTD STANDARD SPECIFICATIONS SHALL APPLY.
- CONCRETE: ALL CONCRETE SHALL BE CLASS "M" MINOR STRUCTURE. ALL EXPOSED EDGES SHALL BE CHAMFERED 3/4 IN. EXCEPT AS NOTED.
- REINFORCING STEEL: REINFORCING STEEL SHALL BE GRADE 60. DIMENSIONS ARE TO BAR CENTERS. MINIMUM COVER FOR REINFORCING BARS SHALL BE 2 IN. CLEAR UNLESS SHOWN OTHERWISE.
- AS DEPTH INCREASES THE WALL AND SLAB THICKNESSES AND REINFORCEMENT SHOULD BE INCREASED AS SHOWN IN THE TABLE BELOW. THE CONTRACTOR HAS THE OPTION TO PROVIDE THE MAXIMUM REQUIRED WALL THICKNESS FOR THE FULL DEPTH OF THE STRUCTURE.

| DEPTH RANGE   | WALLS      |                   | BOTTOM SLAB |                   |
|---------------|------------|-------------------|-------------|-------------------|
|               | N IN. SIZE | D BARS SPAC., IN. | T IN. SIZE  | E BARS SPAC., IN. |
| 0' TO 7'      | 6.0        | 4                 | 6.0         | 4                 |
| 7'-1" TO 11'  | 7.0        | 4                 | 6.5         | 4                 |
| 11'-1" TO 18' | 8.0        | 5                 | 7.5         | 4                 |
| 18'-1" TO 20' | 8.5        | 5                 | 8.0         | 4                 |

- FOR DETAILS OF METAL COVER, FRAME, AND GRATE, SEE STD. PLAN MC-01, TYPE H & TYPE I.
- THE CONTRACTOR WILL NOT POUR ABOVE THE BOTTOM OF THE SLAB UNTIL THE PAVING ADJACENT TO THE CATCH BASIN HAS BEEN COMPLETED.



LABORATORY

DESIGNED: LAB PAA  
CHECKED: PAA

PARISH: \_\_\_\_\_  
FEDERAL PROJECT: \_\_\_\_\_  
STATE PROJECT: \_\_\_\_\_

DATE: 11-15-90  
SHEET: 1 OF 1

WJR  
JDK  
JCM

12-22-10 Rev. to AASHTO LRFD Procedures, Rev. size 8'-10"  
1-17-07 REV. MAX. DIMENSION IN SECTION A-A  
8-18-98 CHANGED SHEET BORDER AND ADDED NAME

NO. \_\_\_\_\_  
DATE \_\_\_\_\_  
REVISION DESCRIPTION \_\_\_\_\_

CONCRETE CATCH BASIN  
CURB OPENING  
4" Mountable Or 6" Barrier Curb  
Max. Size: 8'-10" x 8'-10", Max. Depth 20"

SPECIAL DETAIL: CB-SD06

HYDRAULICS SECTION